

1:60 SCALE

ITEM NO.01201

Mayflower

英国五月花古商船



《涂装参考盒面封绘》

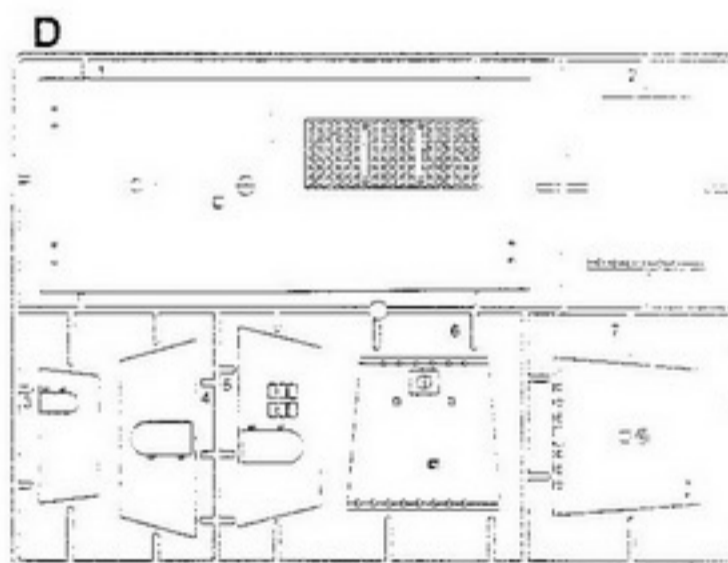
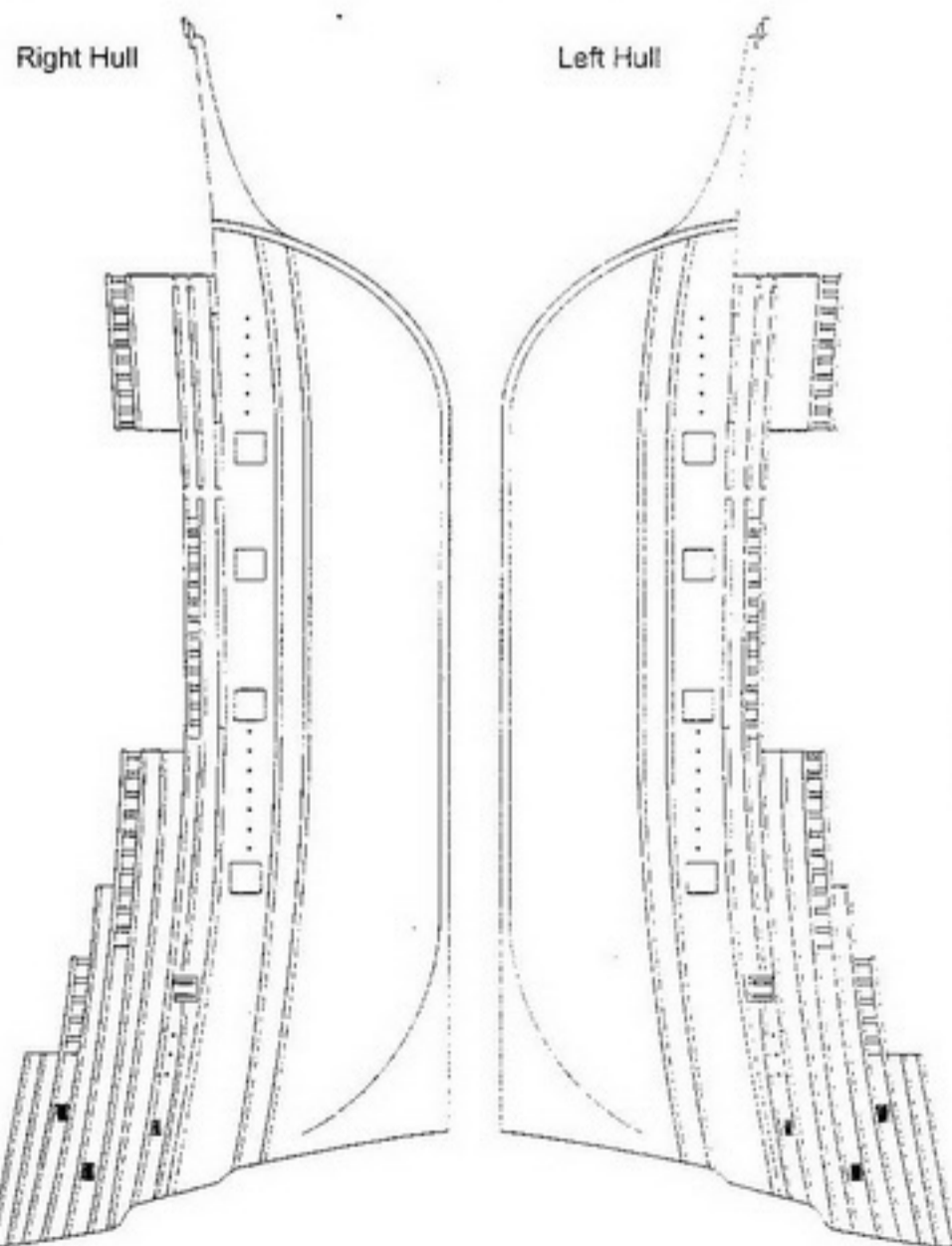
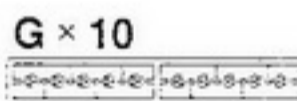
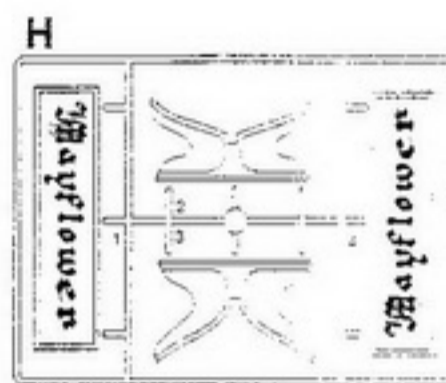
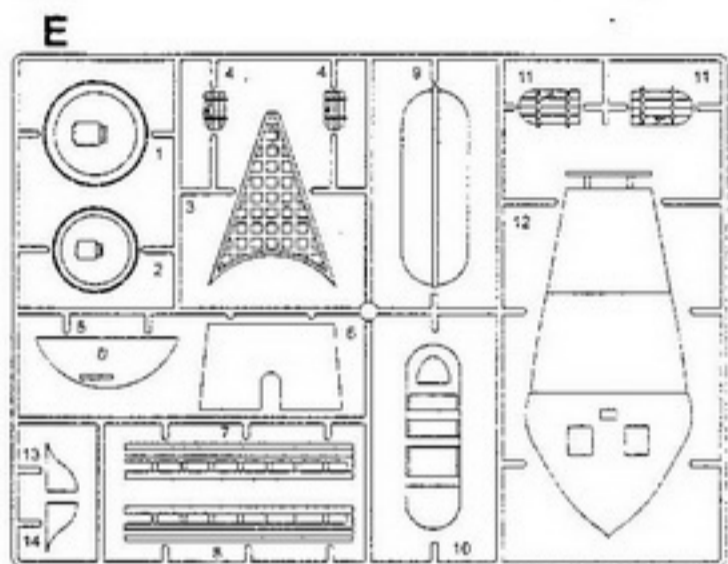
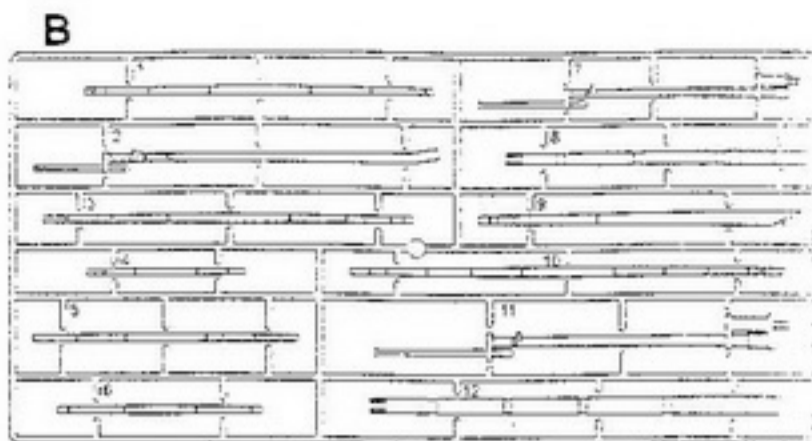
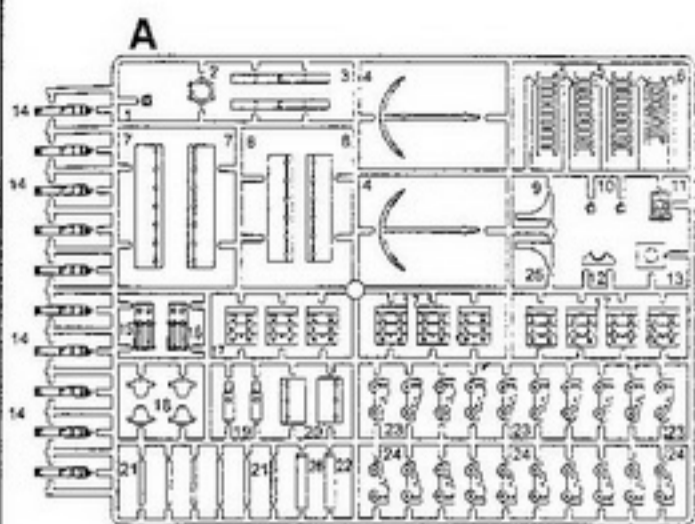
Painting refer to the art on box

主体色：木棕色

Hull color -Wood -brown color

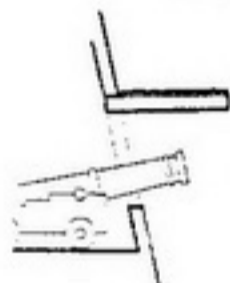
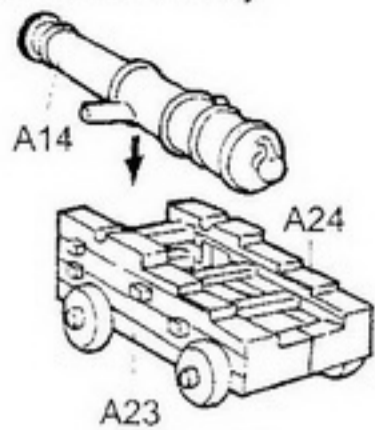
Sails-sail color

部品图 Parts

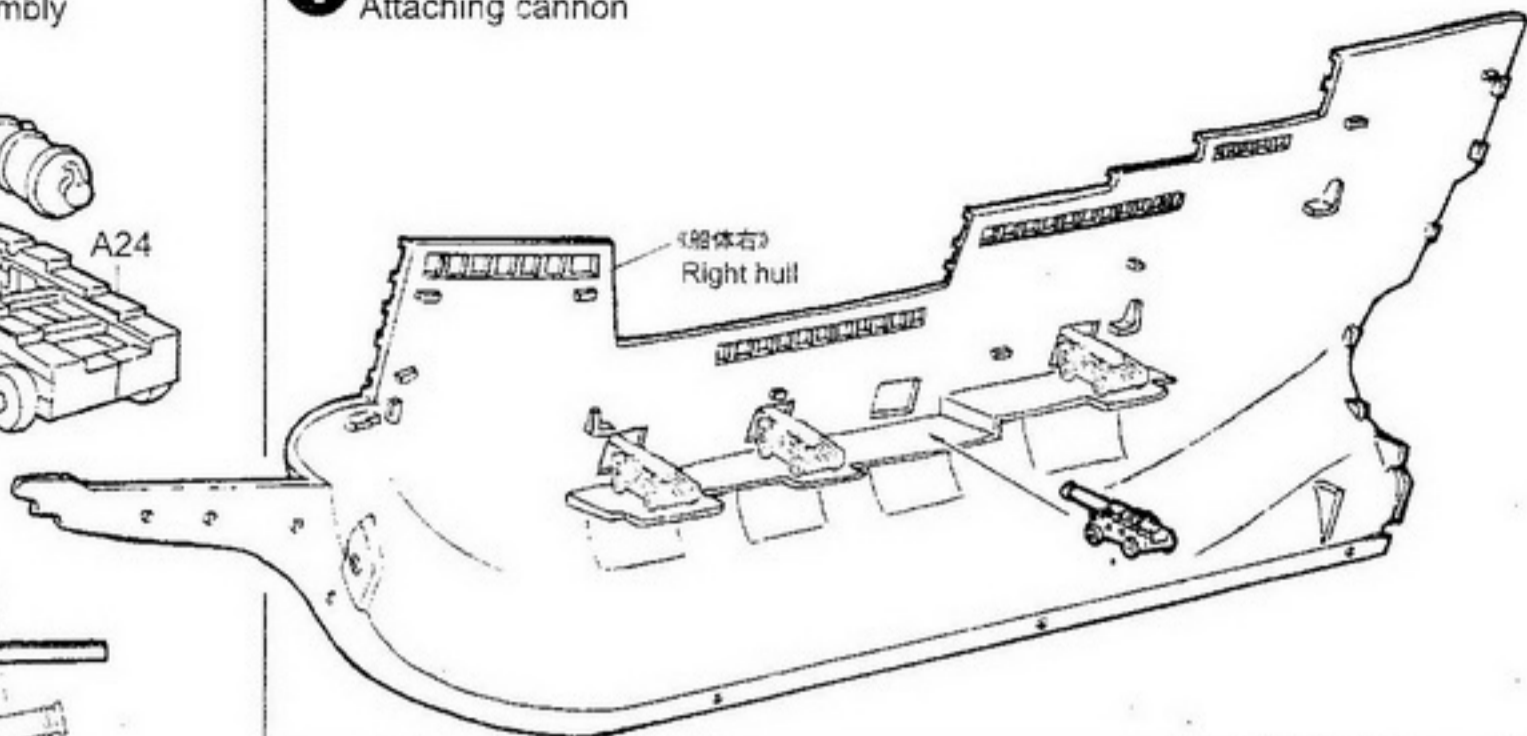


- PVC帆 1版
- PVC sail 1PCS
- 旗
- Flags
- 粗绳 1卷
- Thick rope 1Roll
- 细绳 1卷
- Thin rope 1Roll

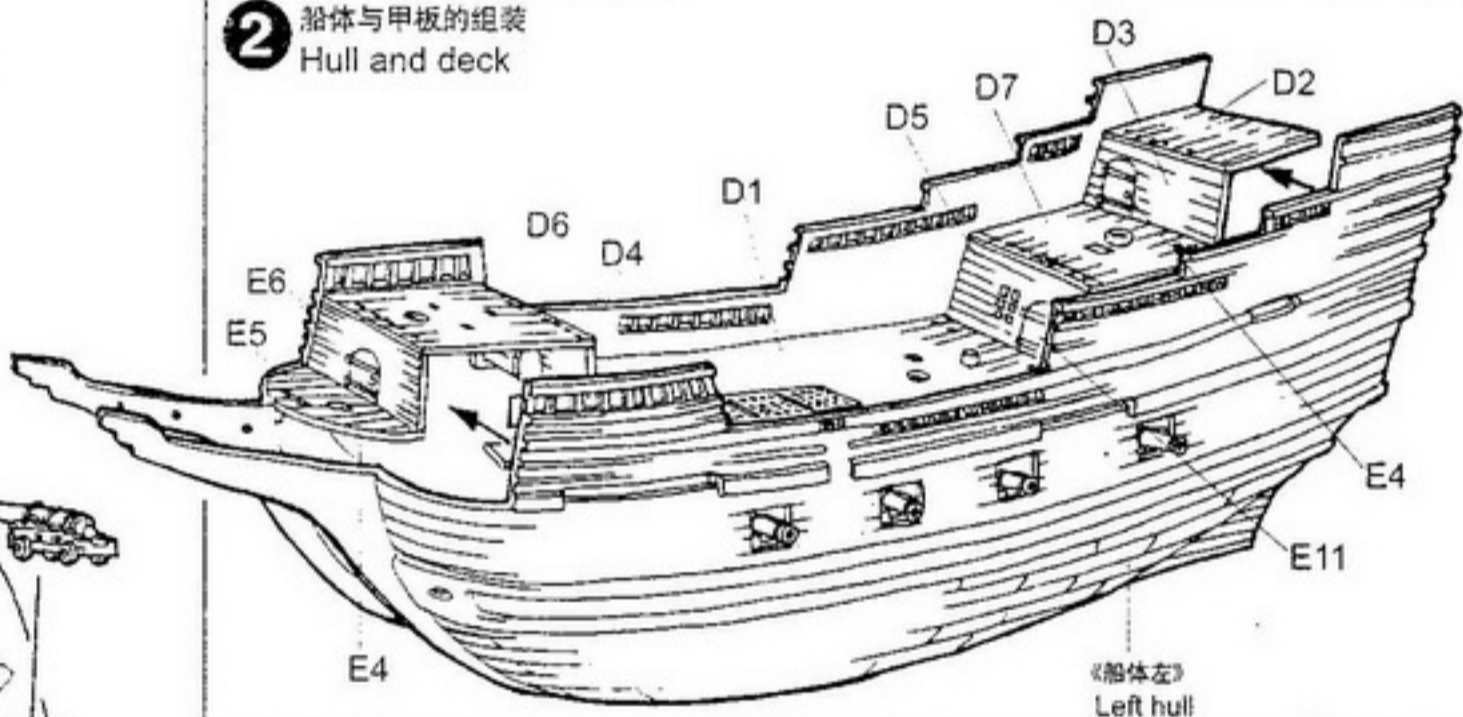
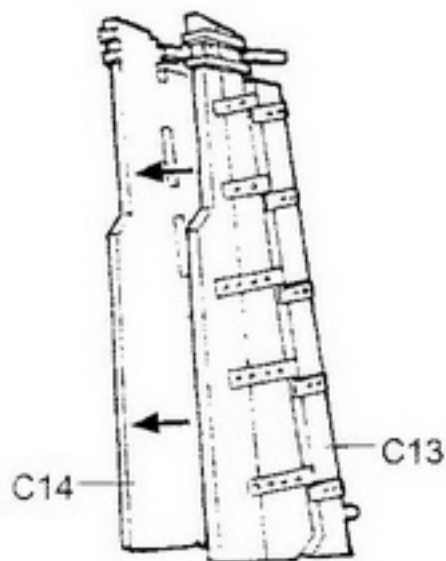
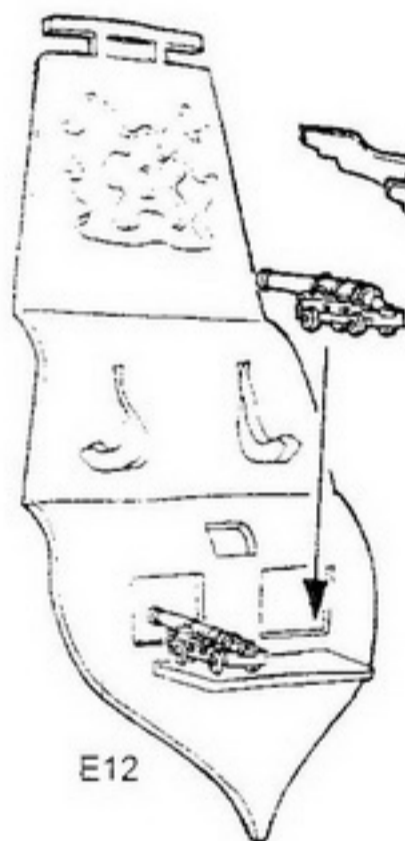
炮的组装
Cannon assembly



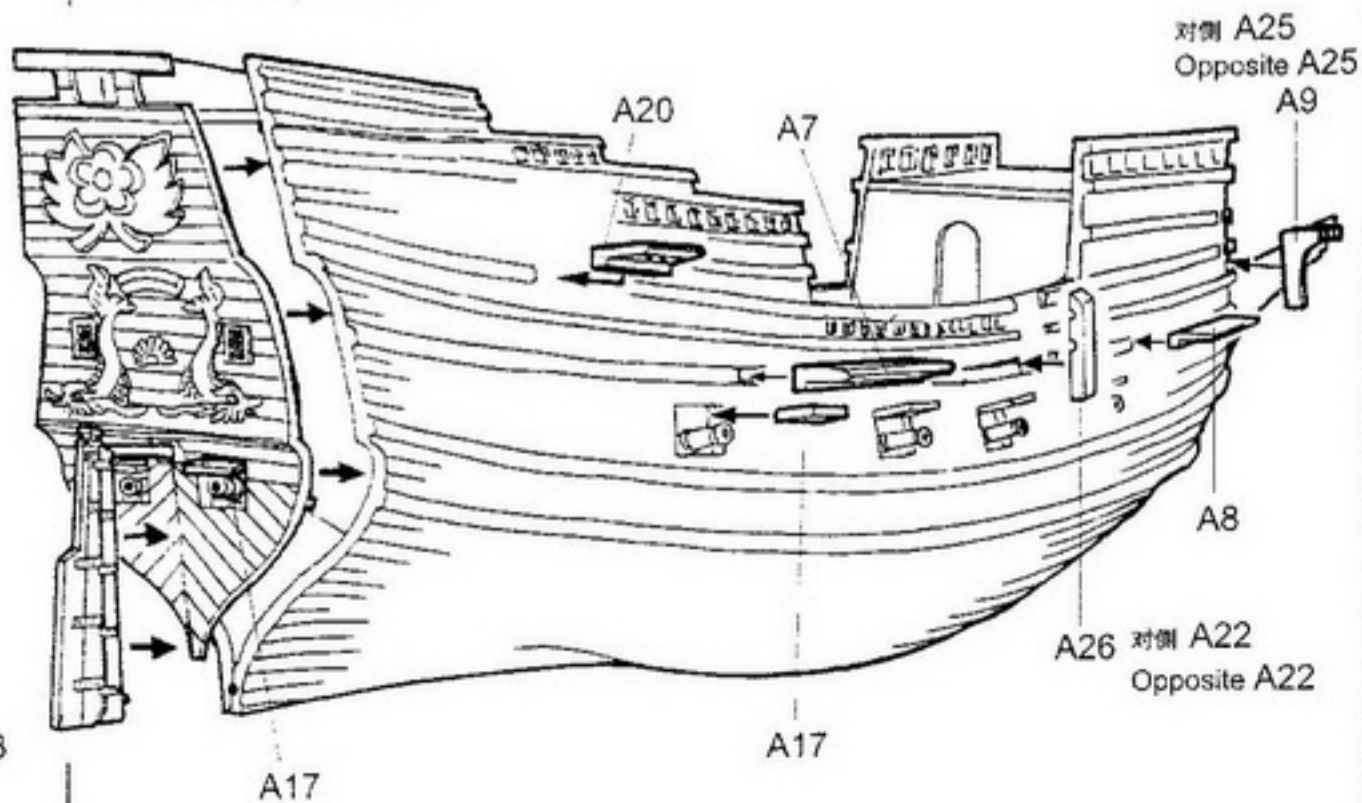
1 炮的安装
Attaching cannon



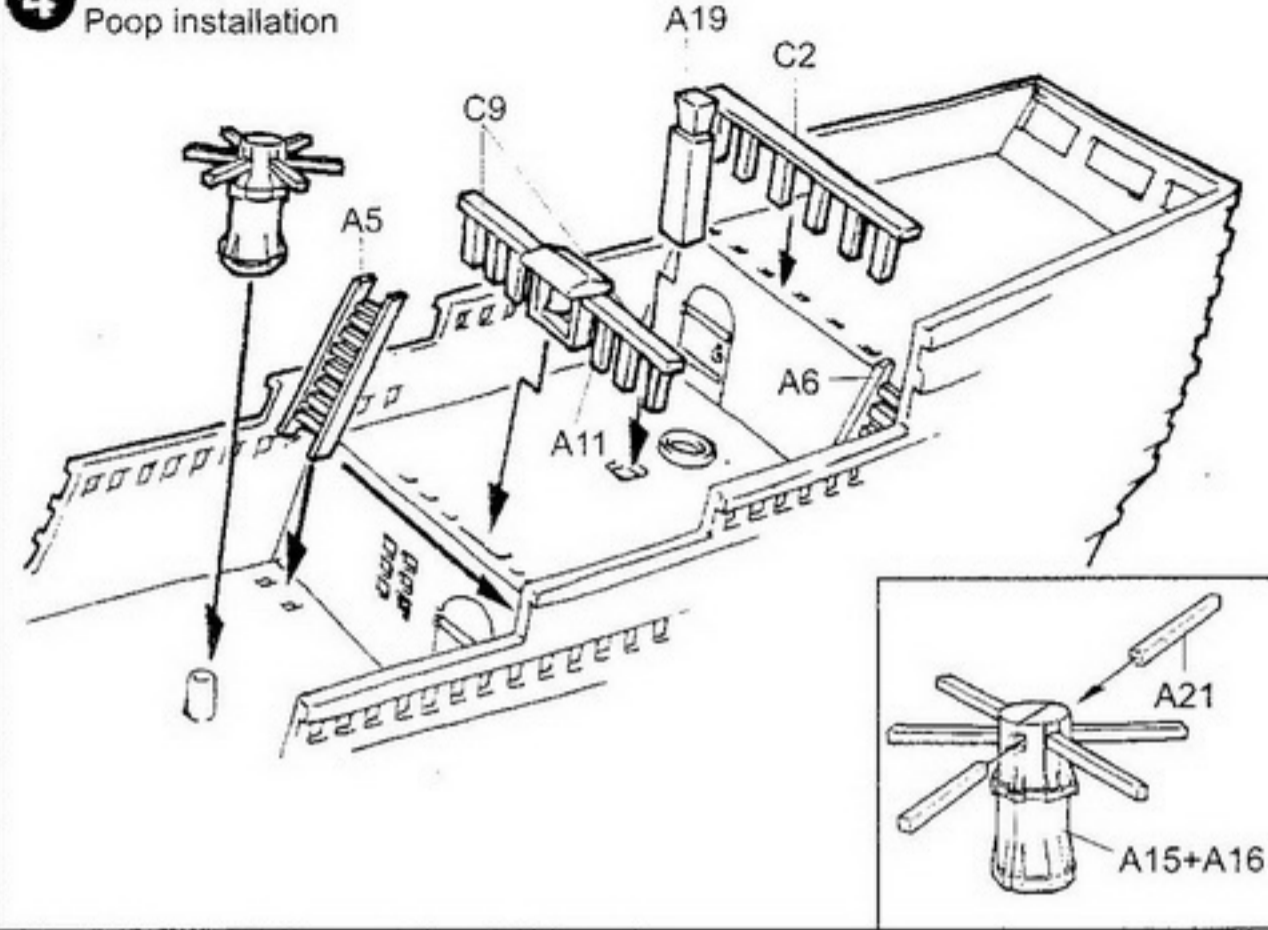
2 船体与甲板的组装
Hull and deck



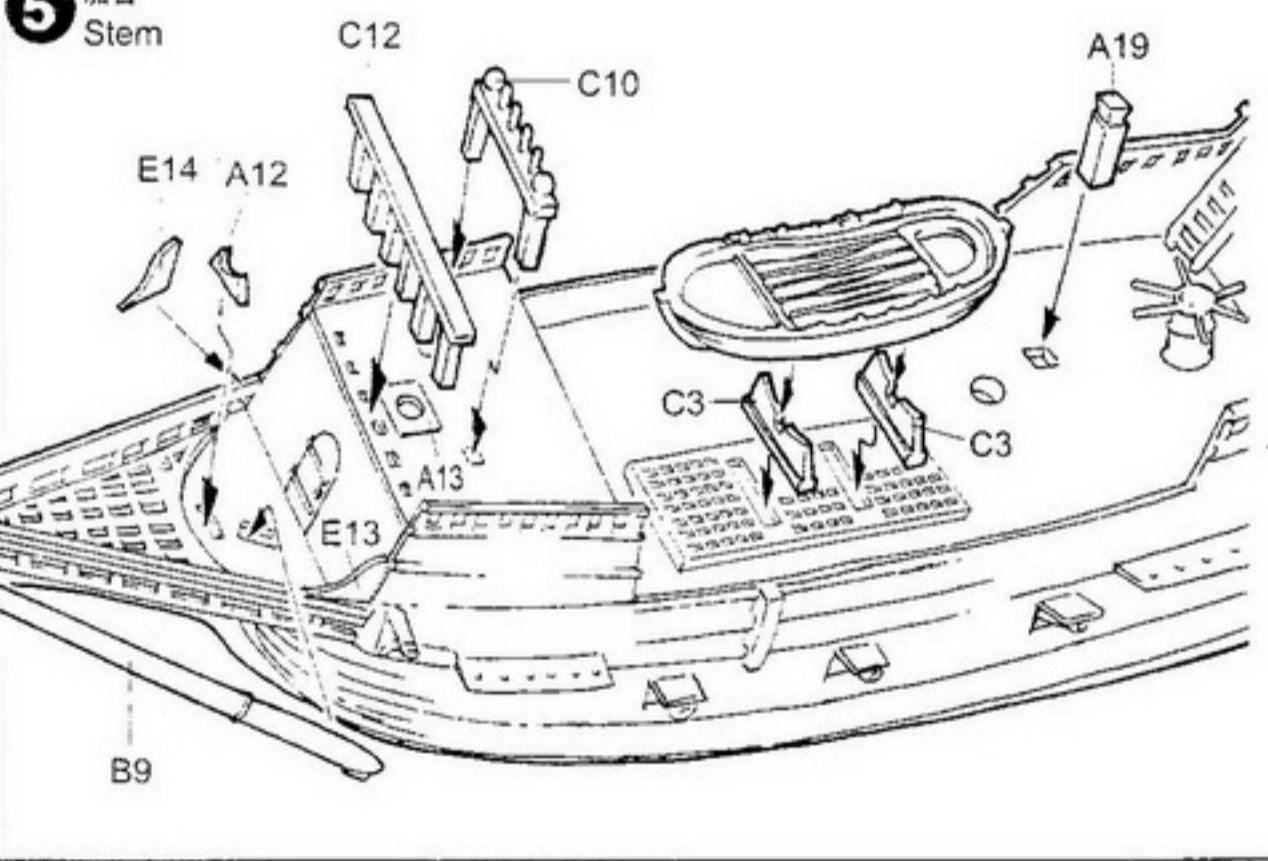
3 舵的安装
Attaching rudder



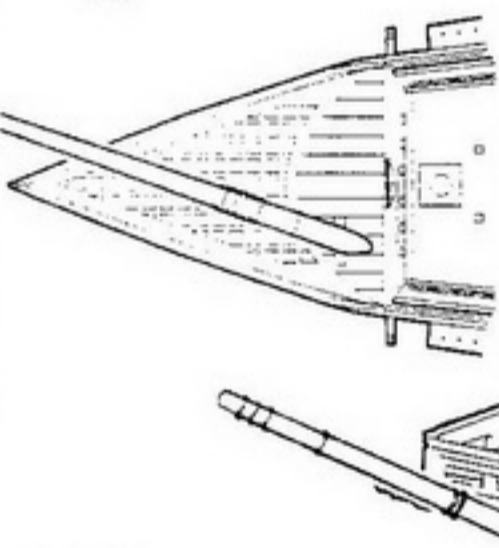
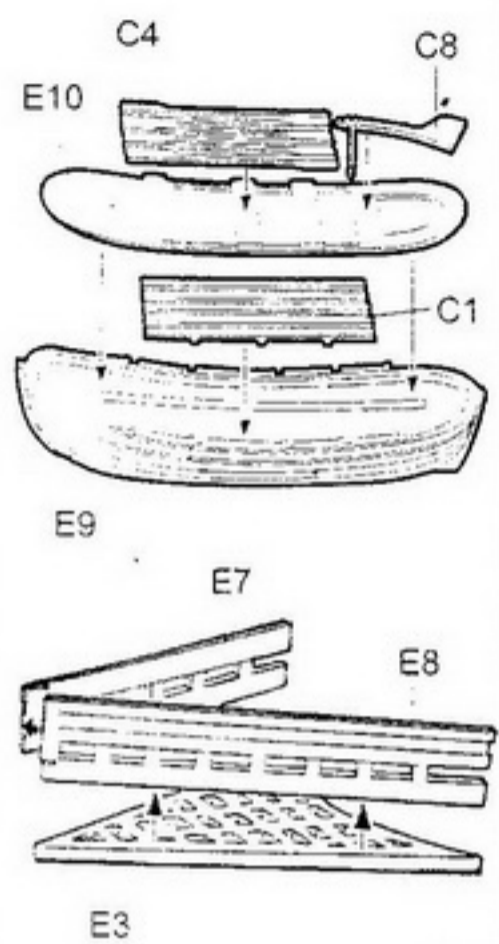
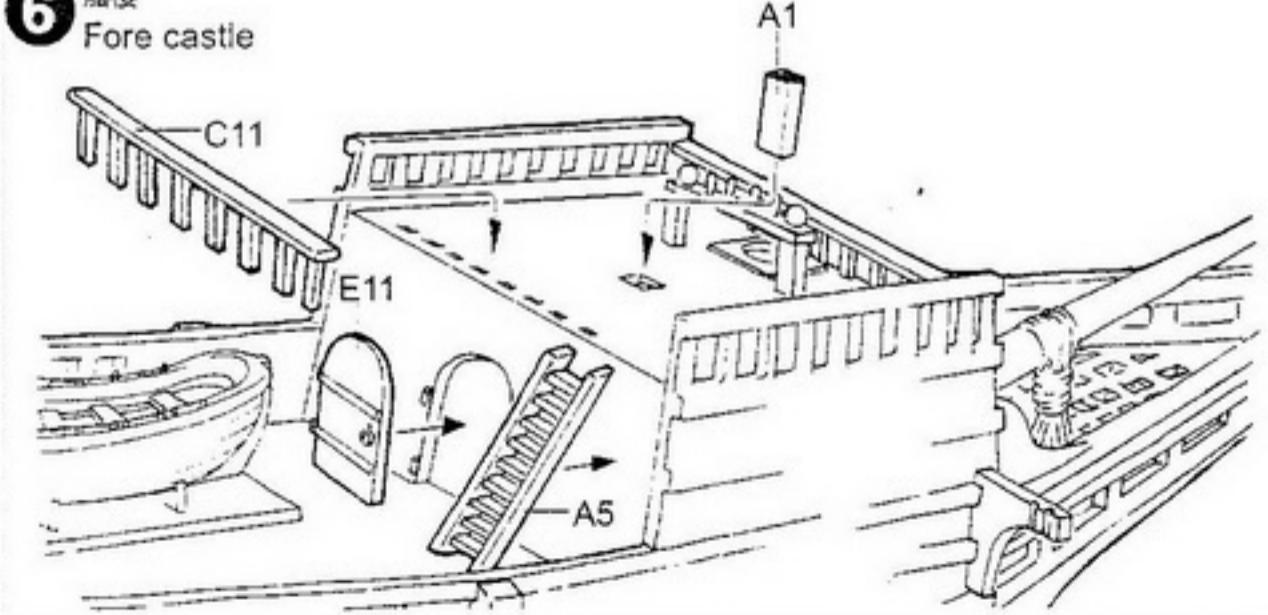
4 船尾的安装
Poop installation



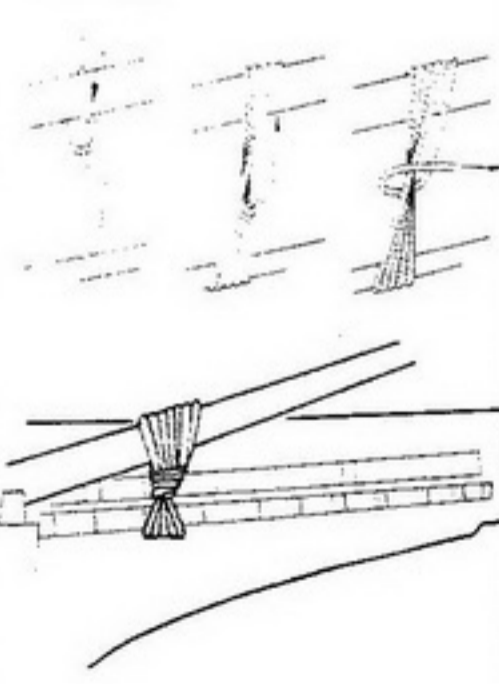
5 船首
Stem



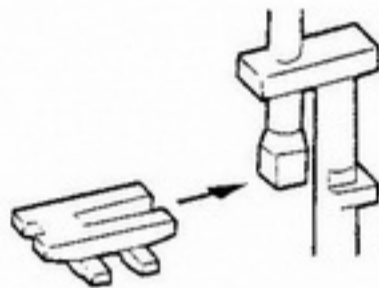
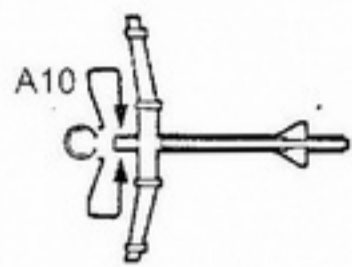
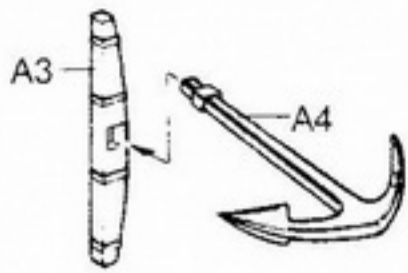
6 艏楼
Fore castle



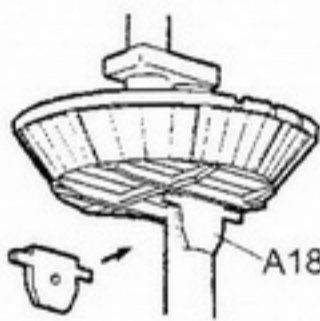
细绳使用
Thin rope



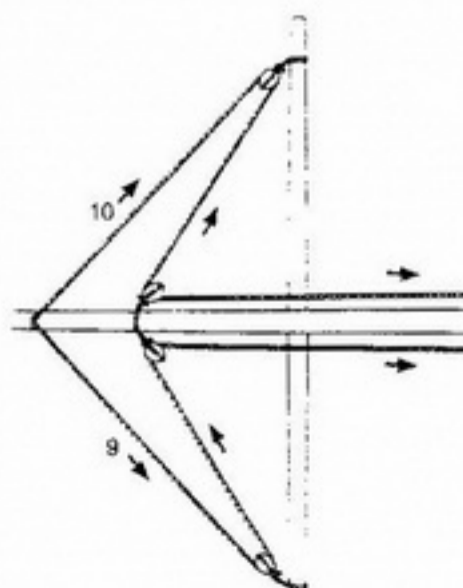
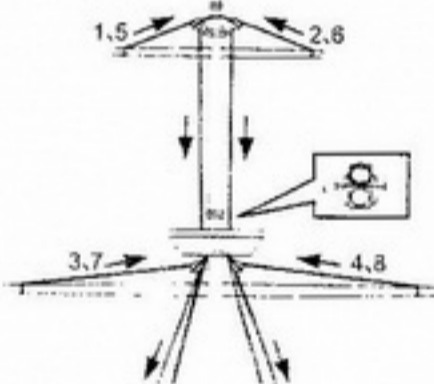
锚的组装
Anchor assembly



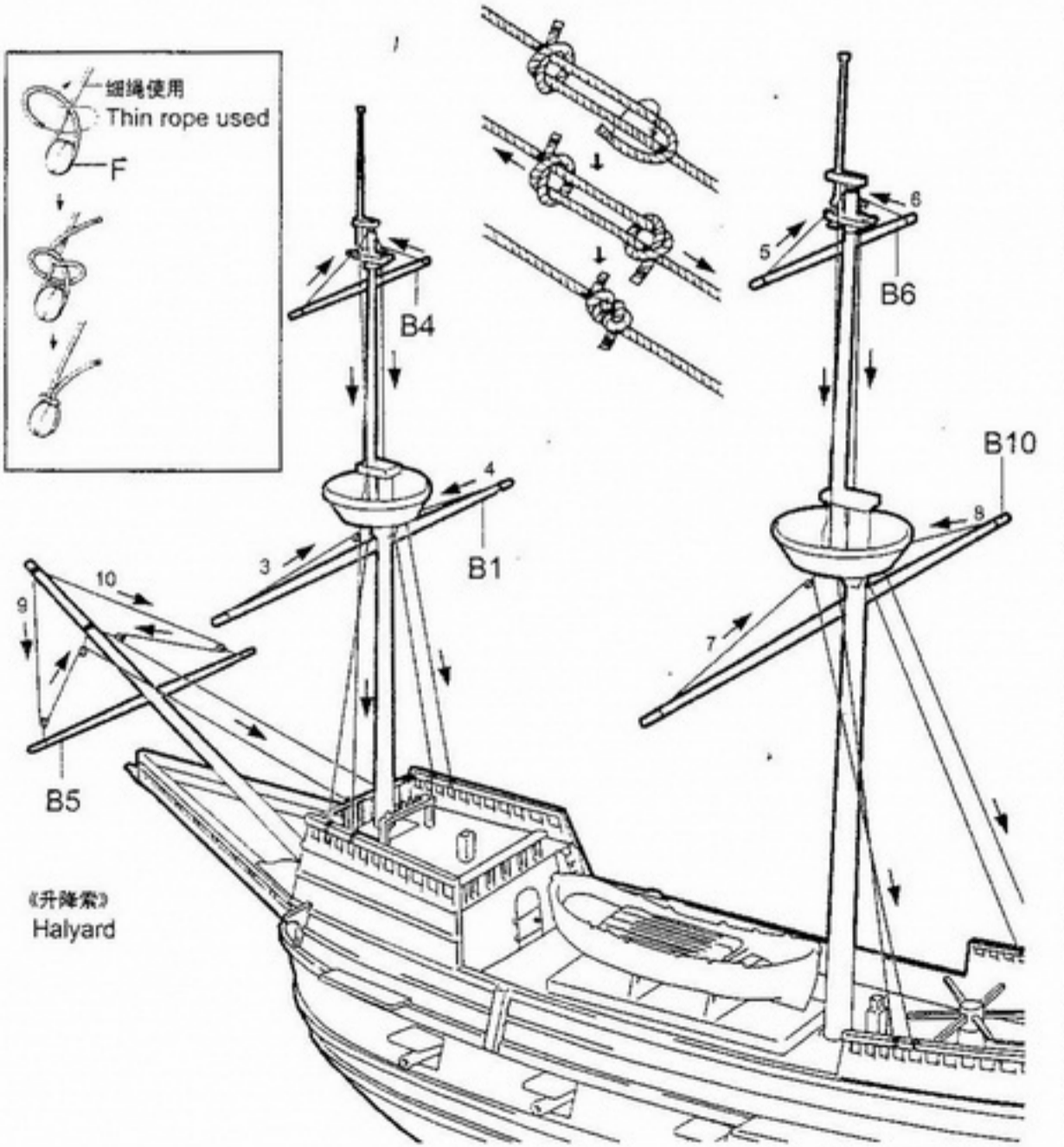
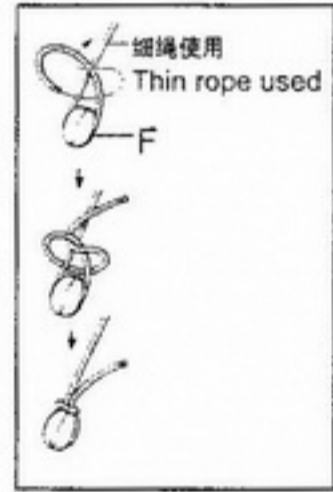
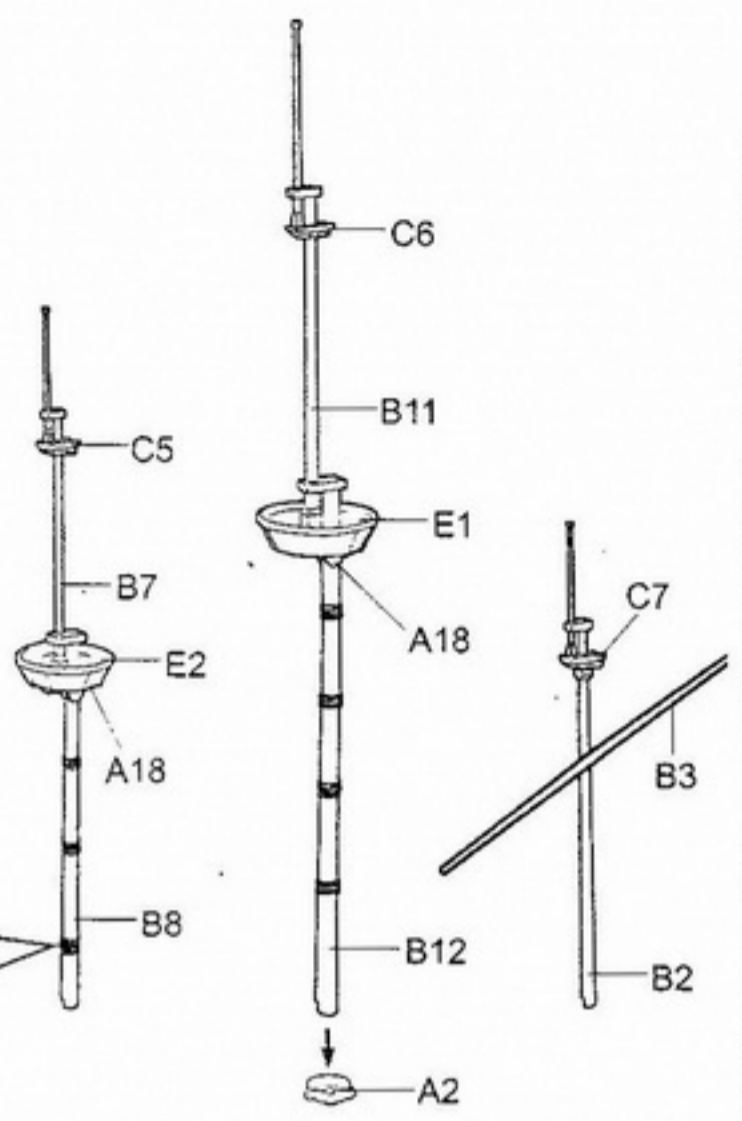
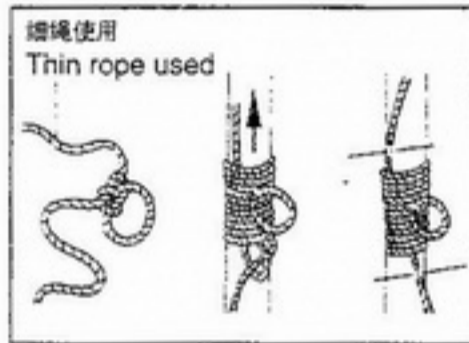
C5, C6, C7



A18

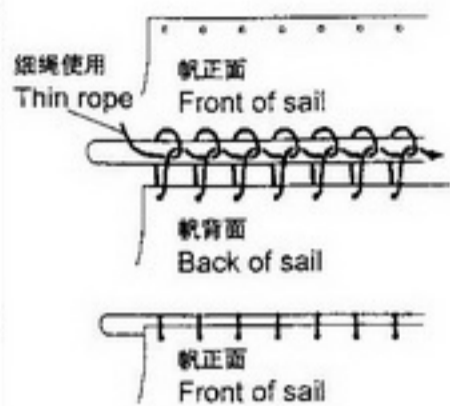


7 桅杆的组装
Masts assembly



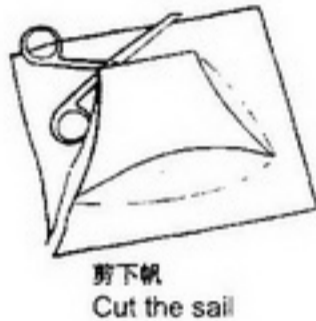
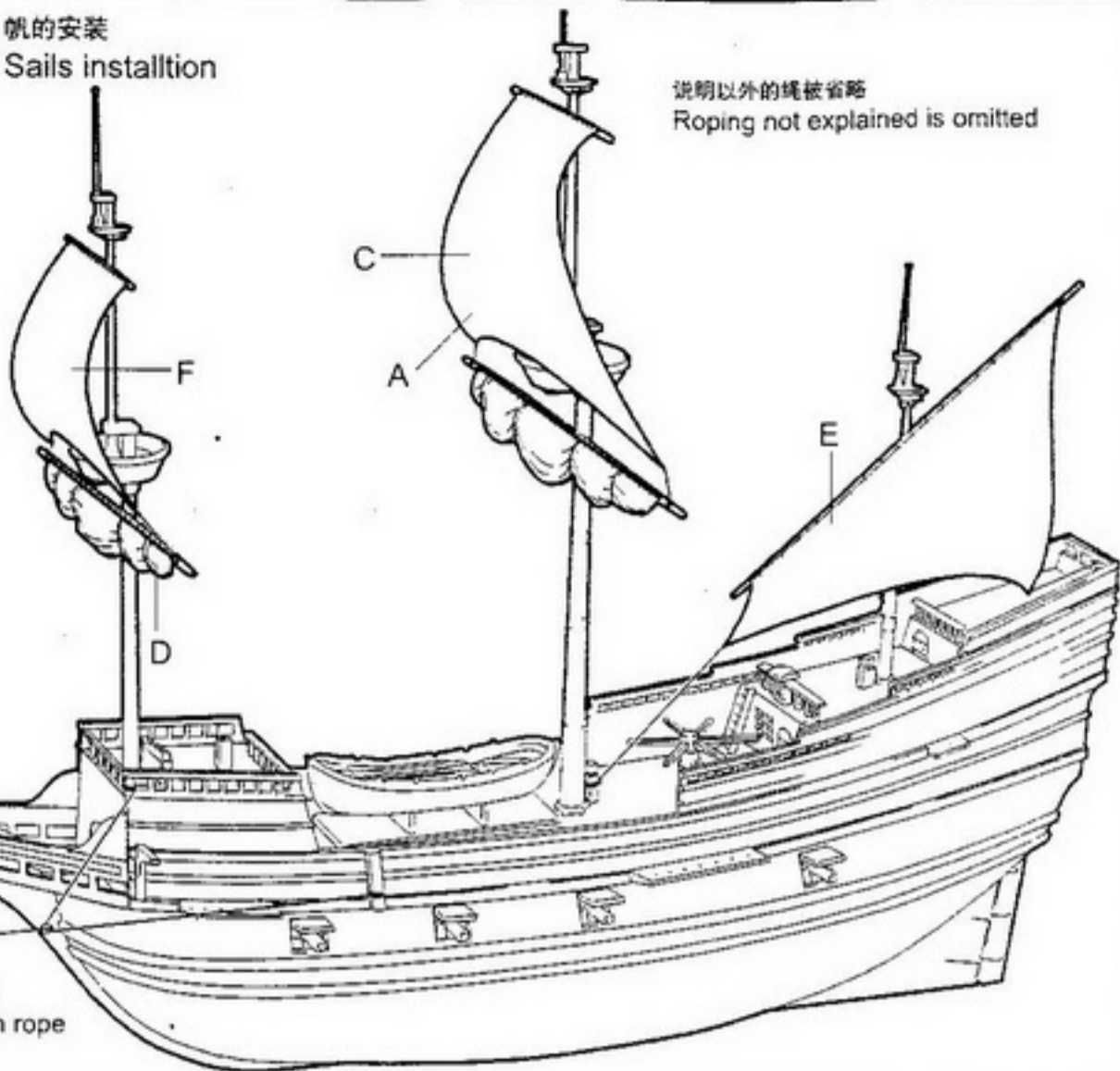
《升降索》
Halyard

做 $\phi 1.0\text{mm}$ 的孔 如图
 Make holes of about 1mm diameter in the sails by use of pin-vise as below shown



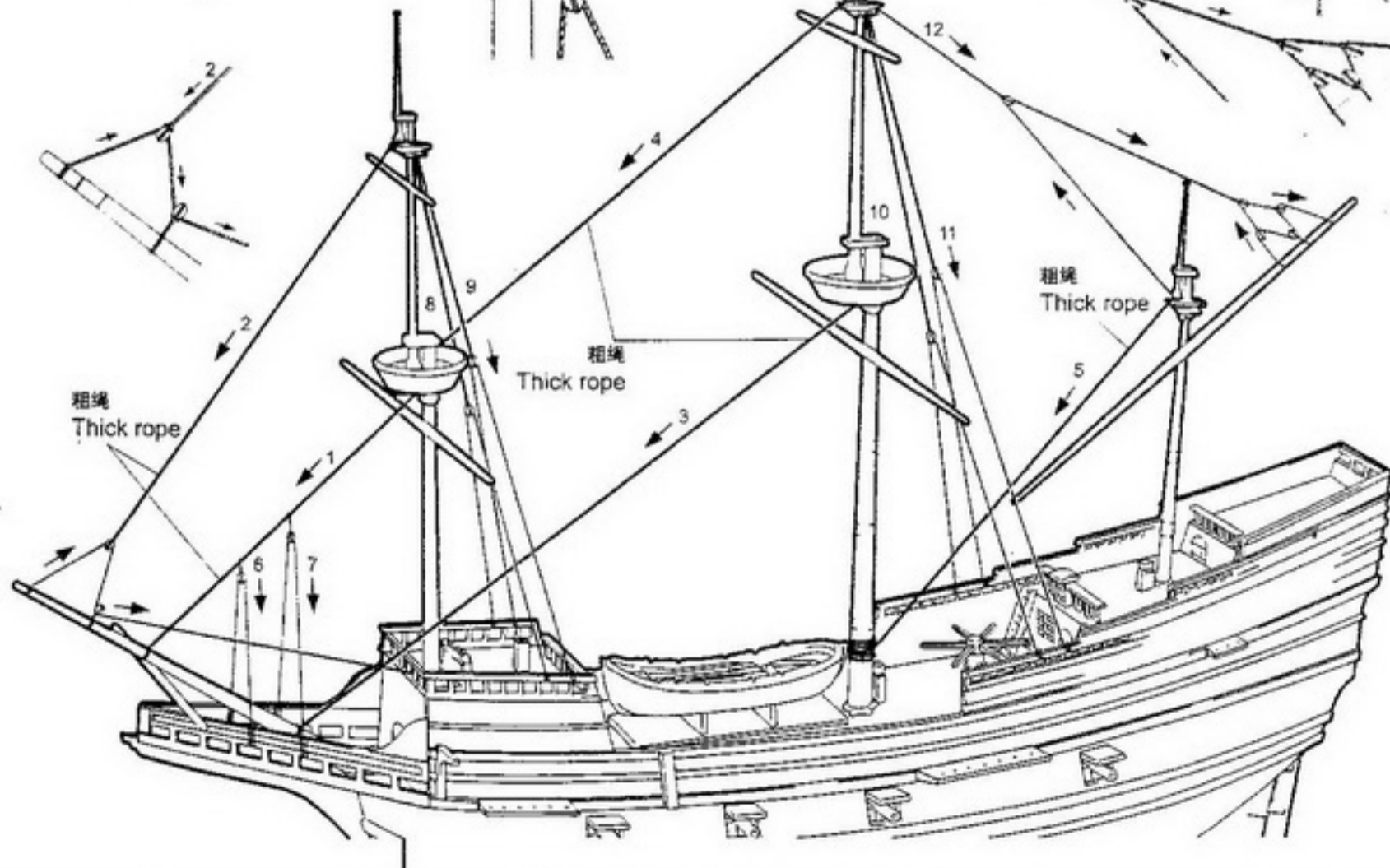
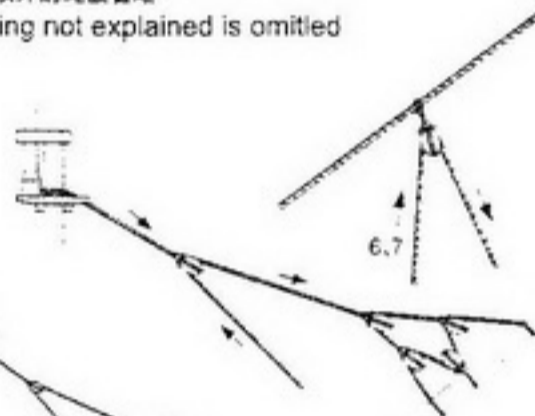
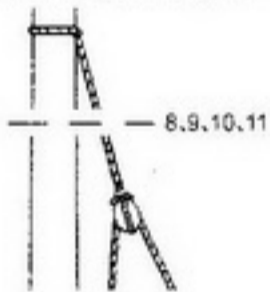
8 帆的安装 Sails installation

说明以外的绳被省略
 Roping not explained is omitted



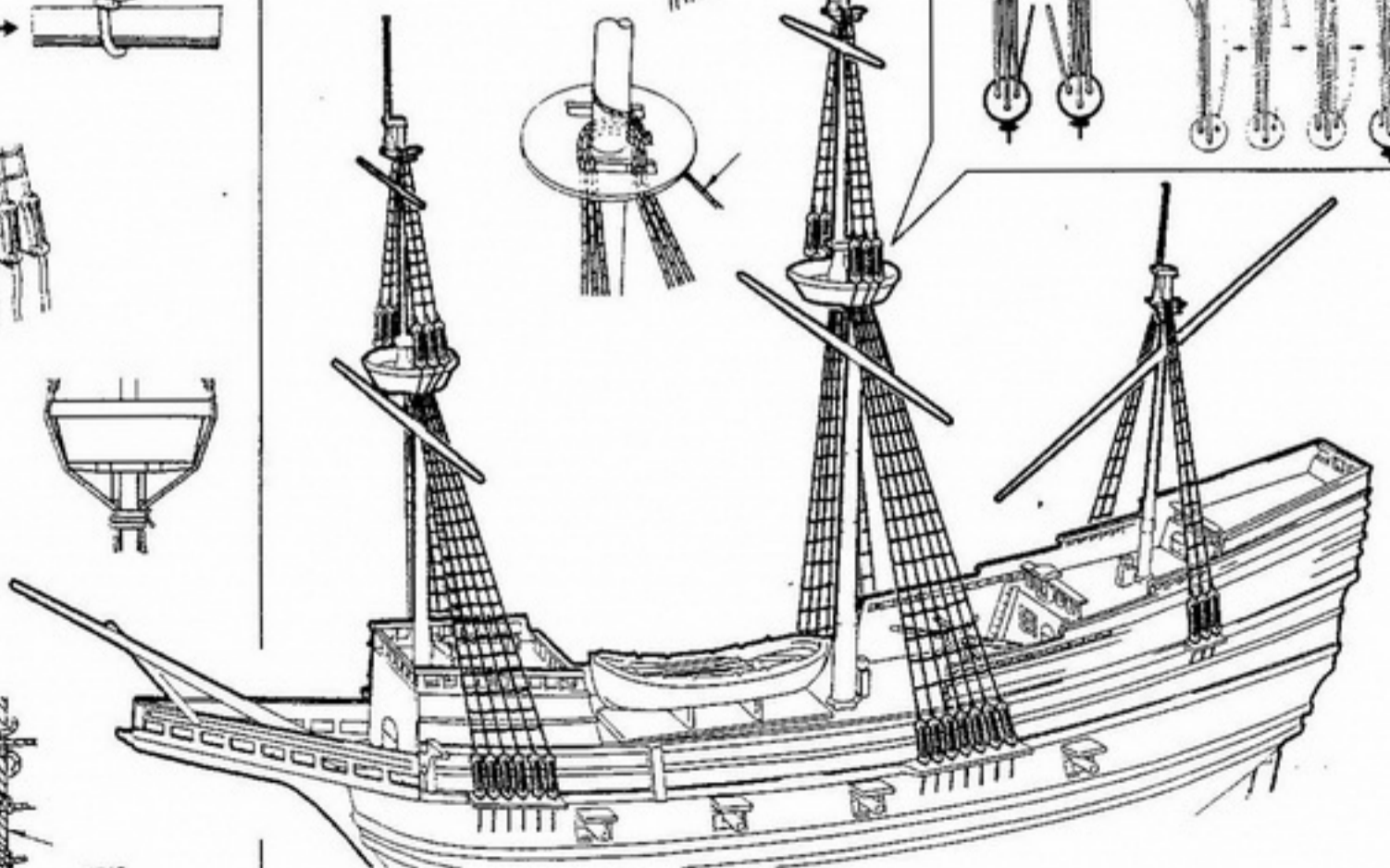
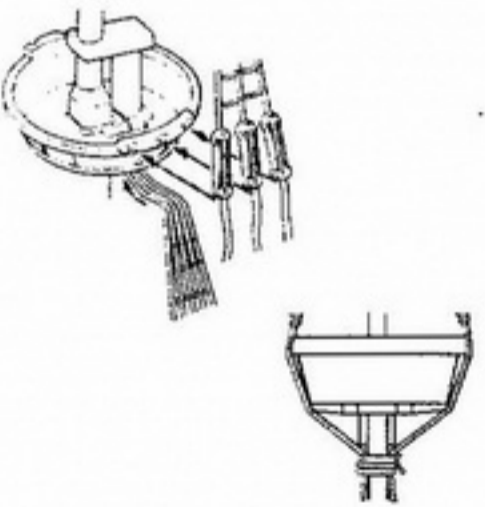
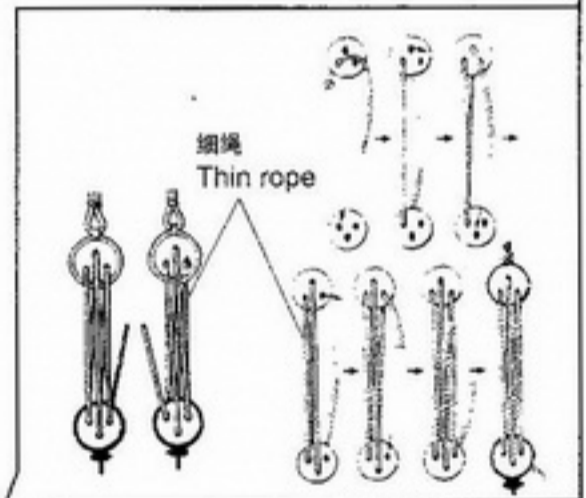
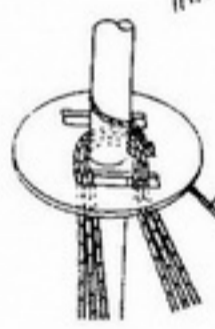
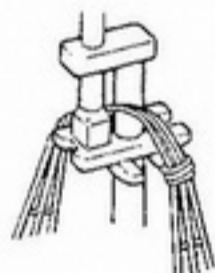
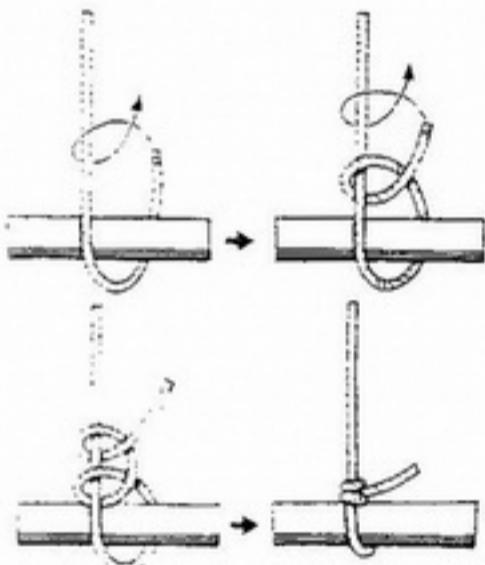
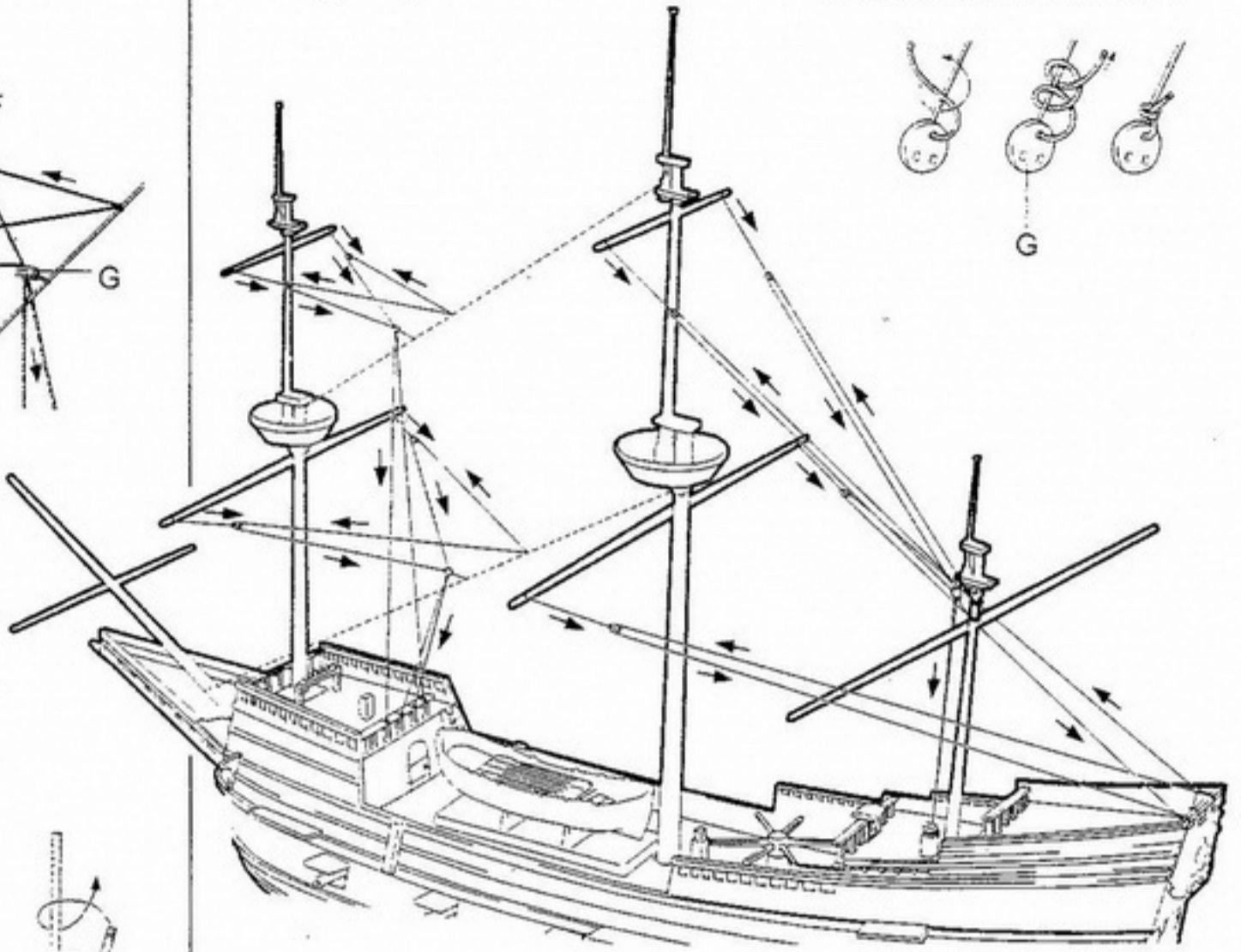
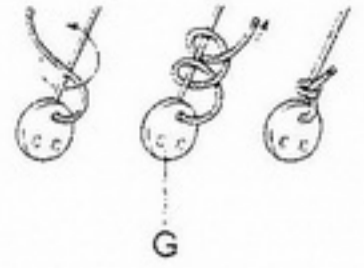
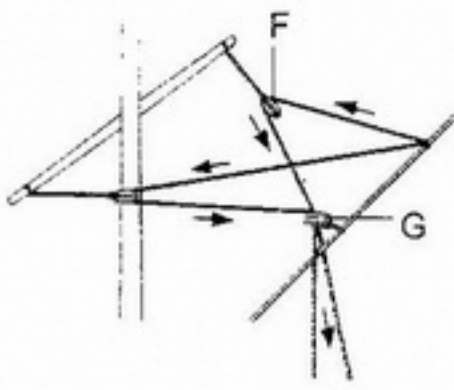
绳的拉法 ①
 Stretching the rope ①

说明以外的绳被省略
 Roping not explained is omitted



繩的拉法 ②
Stretching the rope ②

說明以外的繩被省略
Roping not explained is omitted

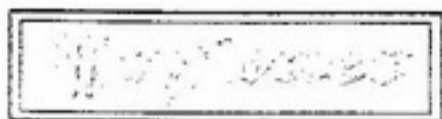
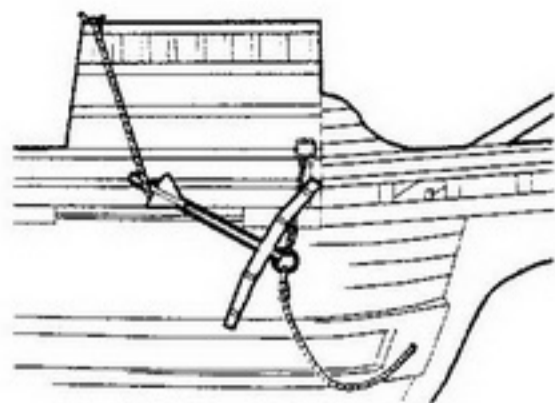


細繩
Thin rope

粗繩
Thick rope

座架和铭牌
Stand and Nameplate

锚的安装
Anchor installation



《旗帜》
Flag

